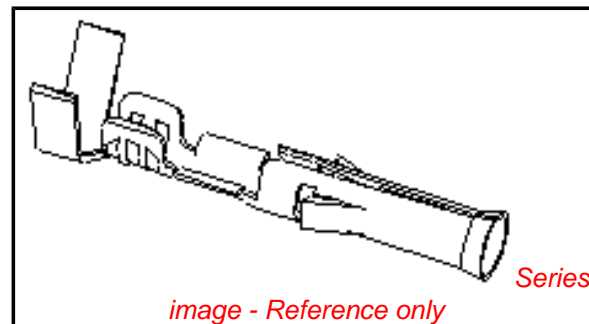


PLEASE CHECK WWW.MOLEX.COM FOR LATEST PART INFORMATION

Part Number: [0002091206](#)
Status: **Active**
Overview: [standard_093](#)
Description: 2.36mm (.093") Diameter, Standard .093" Pin and Socket Crimp Terminal, Series 4550, Female, with Tin (Sn) Plated Phosphor Bronze Contact, 14-20 AWG, Bag

Documents:

[Drawing \(PDF\)](#) [RoHS Certificate of Compliance \(PDF\)](#)
[Product Specification PS-02-09 \(PDF\)](#)



General

Product Family	Crimp Terminals
Series	4550
Crimp Quality Equipment	Yes
Overview	standard_093
Product Name	Standard .093"

Physical

Durability (mating cycles max)	25
Gender	Female
Material - Metal	Phosphor Bronze
Material - Plating Mating	Tin
Material - Plating Termination	Tin
Packaging Type	Bag
Plating min: Mating (µin)	20
Plating min: Mating (µm)	0.50
Plating min: Termination (µin)	20
Plating min: Termination (µm)	0.50
Termination Interface: Style	Crimp or Compression
Wire Insulation Diameter	1.65-4.06mm (.065-.160")
Wire Size AWG	14, 16, 18, 20
Wire Size mm ²	N/A

Material Info

Old Part Number	4550-(P901)L
-----------------	--------------

Reference - Drawing Numbers

Product Specification	PS-02-09
Sales Drawing	SD-4550-*

EU RoHS

**ELV and RoHS
Compliant**
**REACH SVHC
Not Reviewed**
**Halogen-Free
Status**

China RoHS



**Need more information on product
environmental compliance?**

Email productcompliance@molex.com
 For a multiple part number RoHS Certificate of Compliance, [click here](#)

Please visit the [Contact Us](#) section for any non-product compliance questions.

Search Parts in this Series

[4550Series](#)

Use With

[1619](#) Plug or Receptacle Housing, [1545](#) Plug or Receptacle Housing, [1396](#) Plug or Receptacle Housing, [1490](#) Plug or Receptacle Housing, [2629](#) Plug or Receptacle Crimp Housings, [1261](#) Plug or Receptacle Housing, [1292](#) Plug or Receptacle Housing, [1360](#) Plug or Receptacle Housing, [1375](#) Plug or Receptacle Housing, [3191](#) Plug or Receptacle Housing, [2163](#) Plug or Receptacle Housings

Application Tooling | FAQ

Tooling specifications and manuals are found by selecting the products below. Crimp Height Specifications are then contained in the Application Tooling Specification document.

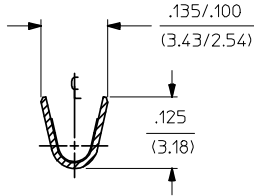
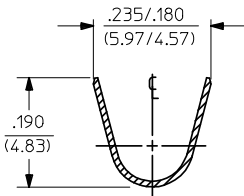
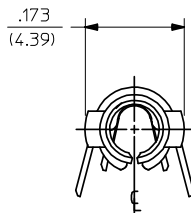
Global

Description	Product #
Hand Crimp Tool	0638191100
Insertion Tool	0011020003

This document was generated on 05/17/2010

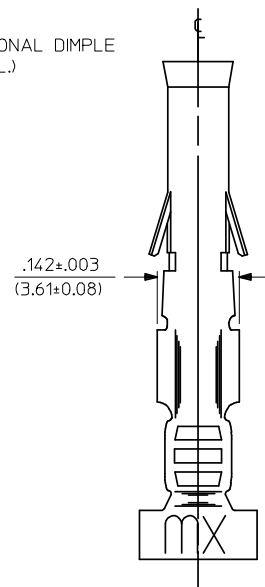
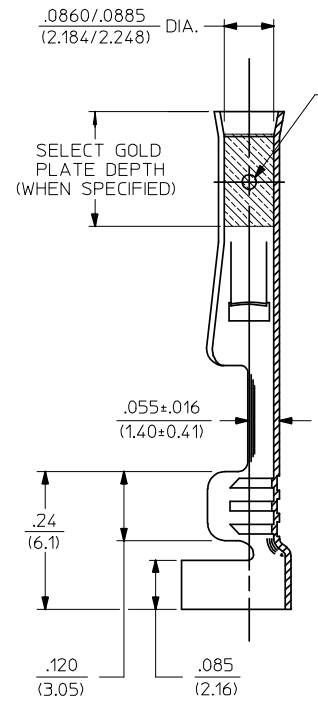
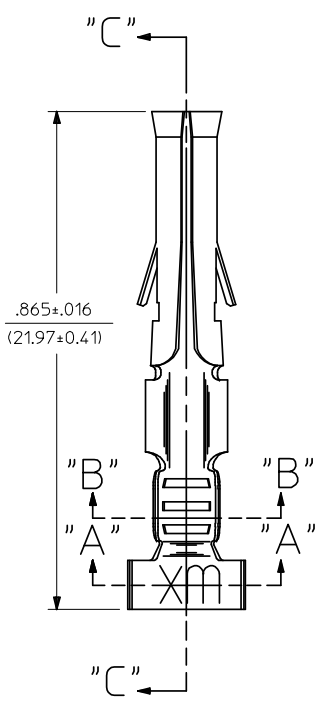
PLEASE CHECK WWW.MOLEX.COM FOR LATEST PART INFORMATION

PART NO.	ENG. NO.
02-09-1205	4550-(P901)
02-09-1206	4550-(P901)L
02-09-5169	4550-A(P558)
02-09-5170	4550-A(P558)L

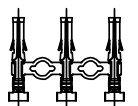


SECTION "A-A"

SECTION "B-B"



SECTION "C-C"



CHAIN FORM FULL SCALE

LEGEND

4550-*(*)*(*)*(*)*(*)*

OPTIONAL DIMPLE
BLANK=WITH DIMPLE
A= WITHOUT DIMPLE

P=PREPLATE
BLANK=POSTPLATE

FORM
BLANK=CHAIN
L=LOOSE

FINISH CODE

NOTES:

1. MATERIAL: PHOSPHOR BRONZE
2. FINISHES:
901 - HOT TIN DIP .000020/(0.00051) MIN.
558 - SELECT GOLD PLATE .000030/(0.00076) MIN. IN CONTACT AREA, OVER .000050/(0.00127) MIN. NICKEL OVERALL WITH .000010/(0.00025) MAX. GOLD FLASH.
3. THIS PART CONFORMS TO PROD. SPEC. 02-09.
4. TERMINAL FOR USE WITH .093/(2.36) SERIES HOUSINGS AND WILL ACCEPT 14 THRU 20 AWG WIRE.
5. INSERTION FORCE: 3.5 LBS. MAX. WHEN TERMINAL IS INSERTED INTO AN .093 SERIES HOUSING.
6. RETENTION: 20 LBS. MIN. FROM HOUSING.

CORRECT DIMENSION EC NO: UCP2009-0419 DRAWING: GAVRILL 2008/08/18 CHKD: AELHAG 2008/08/19 APPR: FSM/TH 2008/08/20	QUALITY SYMBOLS ▽=0 ▽=0	GENERAL TOLERANCES (UNLESS SPECIFIED)		DIMENSION STYLE IN/MM		SCALE 6:1	DESIGN UNITS INCH	THIRD ANGLE PROJECTION		
		4 PLACES ± --- ± ---	3 PLACES ± --- ± .010	2 PLACES ± 0.25 ± .014	1 PLACE ± 0.35 ± ---	DRAWN BY GWC	DATE 1991/05/02	TITLE CRIMP TERMINAL, FEMALE		
		ANGULAR ± 1/2°		DRAFT WHERE APPLICABLE MUST REMAIN WITHIN DIMENSIONS		CHECKED BY RW	DATE 1991/05/02	APPROVED BY GWF		
		MATERIAL NO. SEE CHART		DOCUMENT NO. SD-4550-*		SHEET NO. 1 OF 1		MOLEX INCORPORATED		
THIS DRAWING CONTAINS INFORMATION THAT IS PROPRIETARY TO MOLEX INCORPORATED AND SHOULD NOT BE USED WITHOUT WRITTEN PERMISSION										